

# XRS4

## 20V X-RAY GENERATOR

370 kVp light duty pulsed X-ray machine



 **Golden Engineering**  
*Portable X-ray Technology*

# XRS4

## 20V X-RAY GENERATOR

*Pulsed X-ray technology has inherent advantages for field operation compared to conventional constant potential X-ray machines or radioactive sources.*

### FEATURES

- Maximum 370 kVp
- Menu-based software
- Simple variable pulse setting
- Compatible with CR and DR digital technology
- Modular construction
- Built-in tripod mount

### SAFE

- Minimal disruption to facility operations
- 20 ft stand-off distance behind the unit
- Contains no hazardous material

### HIGHLY PORTABLE

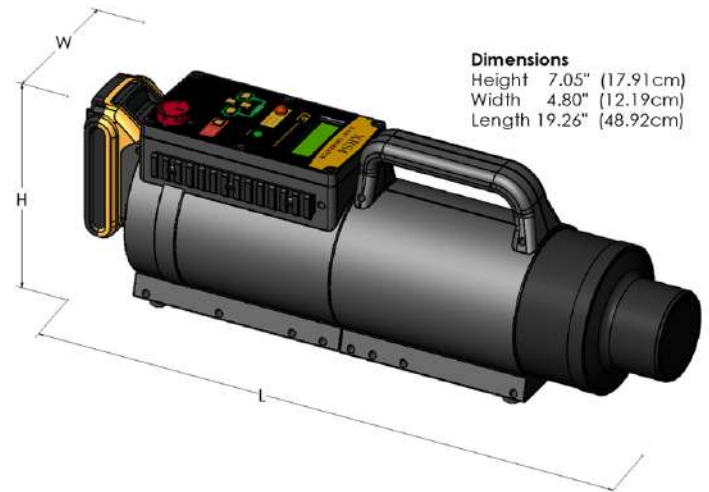
- 18 lb unit with significant penetrating capability
- High energy output voltage with minimal input voltage
- Power, control and tube in a single package design

### COST-EFFECTIVE

- Affordable alternative technology
- Minimal regulatory costs
- Significant time and labor savings

### SPECIFICATIONS

Power:	DeWalt® 20V (18V EU) Battery
Weight:	18.3 lb / 8.3 kg (including battery)
Output dose:	4.5 to 7 mR/pulse measured 12" from source
Pulse rate:	9 pulses per second
Source size:	1/8" (3mm)
Max photon energy:	370 kVp
Pulse width:	10 nanoseconds
Beam angle:	40 degree standard / 60 degree available
Current draw:	17 amp
Max duty cycle:	200 pulses per 4 minutes
Warm up:	NONE Required
Warranty:	1 year limited parts, labor, service



**Golden Engineering**  
 Portable X-ray Technology

WEB: [www.goldenengineering.com](http://www.goldenengineering.com)

PH: 765-855-3493

EM: [sales@goldenengineering.com](mailto:sales@goldenengineering.com)